

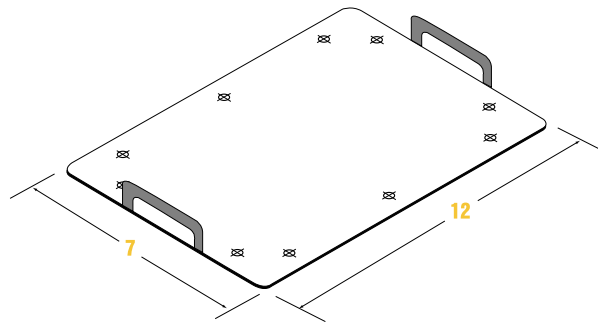


6827 E. Washington Blvd. • Los Angeles, Calif. 90040

Phone (800) 334-3072
Fax (323) 888-9395

LIST PRICES EFFECTIVE JANUARY 1, 2000 HOW TO ORDER FLAME GARD ACCESS DOORS

1. Standard sizes are ordered with the Vertical (handle side) dimension first, the horizontal (left to right) second. See sample.



SIZE - 7x12

2. All ordering sizes/dimensions are the actual duct/opening. See reverse side for specifications. The outside dimensions of the door is plus 3 inches of the duct opening.
3. Custom sizes available. Contact factory.

Terms and Conditions

PURCHASES:

1. Single shipments, only one (1) destination per invoice.
2. All prices subject to change without notice.
3. Open accounts must be established prior to ordering otherwise shipment will go C.O.D. or cash in advance.
4. Terms are Net 30 days.

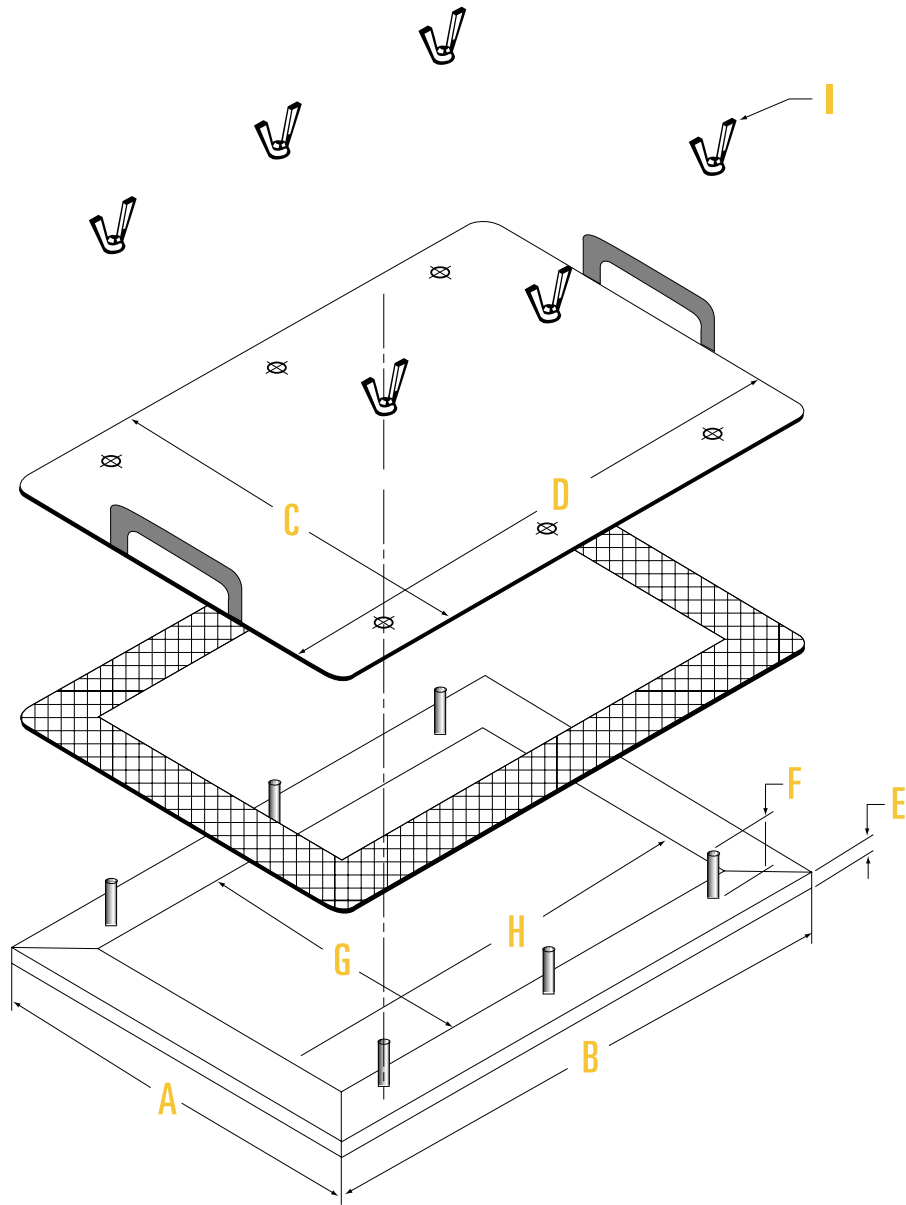
Return Goods Policy

Flame Gard, Incorporated reserves the right to accept or reject return for credit requests for any Flame Gard product shipped as ordered. Any product accepted for return is subject to the prevailing restocking charge of 25% and freight charges in effect at time of return as authorized. Absolutely no product will be accepted without formal authorization by the Company and the issuance of a RGA# which must be on the outside of all original packaging. All return goods received by Flame Gard that are damaged will be returned with no credit issued. All freight for warranty returns is the responsibility of the customer.

Lost or Damaged Shipments

Whenever seller shall deliver or cause to be delivered to a common carrier any goods ordered by contractor, whether the particular common carrier shall have been designated in the shipping or routing instructions of contractor or not, seller shall not be responsible for any delays or damages in shipment, and the common carrier to which seller shall deliver goods shipped to contractor is hereby declared to be the agent of contractor. Therefore, it is the responsibility of contractor to file claim with the carrier for lost or damaged shipments.

**Order now by calling toll free (800) 334-3072
or fax your order - Fax (323) 888-9395
Email - info@flamegard.com
www.flamegard.com**



DIMENSIONS

ORDER SIZE	A	B	C	D	E	F	G	H	I	QTY	LIST PRICE
7"x7"	10"	10"	10.5"	10.5"	.5"	1"	7"	7"	4"	4	55.00
7"x12"	10"	15"	10.5"	15.5"	.5"	1"	7"	12"	6"	6	63.00
7"x20"	10"	23"	10.5"	23.5"	.5"	1"	7"	20"	10"	10	75.50
12"x12"	15"	15"	15.5"	15.5"	.5"	1"	12"	12"	8"	8	72.00
12"x20"	15"	23"	15.5"	23.5"	.5"	1"	12"	20"	12"	12	84.00
16"x20"	19"	23"	19.5"	23.5"	.5"	1"	16"	20"	12"	12	94.00
20"x20"	23"	23"	23.5"	23.5"	.5"	1"	20"	20"	16"	16	104.25

"THE PENETRATOR" ACCESS DOOR STOCK SIZES AND DOOR DIMENSIONS
 NON-STANDARD SIZES WILL MAINTAIN DIMENSIONS AND SPECIFICATIONS RELATIVE TO ABOVE SIZES
 CALL FOR PRICING ON CUSTOM SIZES